

INTRALOGISTICS IN FMCG INDUSTRY



Food & Beverage Production
Personal Hygiene Products
Household Chemicals
Cosmetics
Medicines



Packing stations
Polybag handling
Pallet transport
Carton and box conveyors

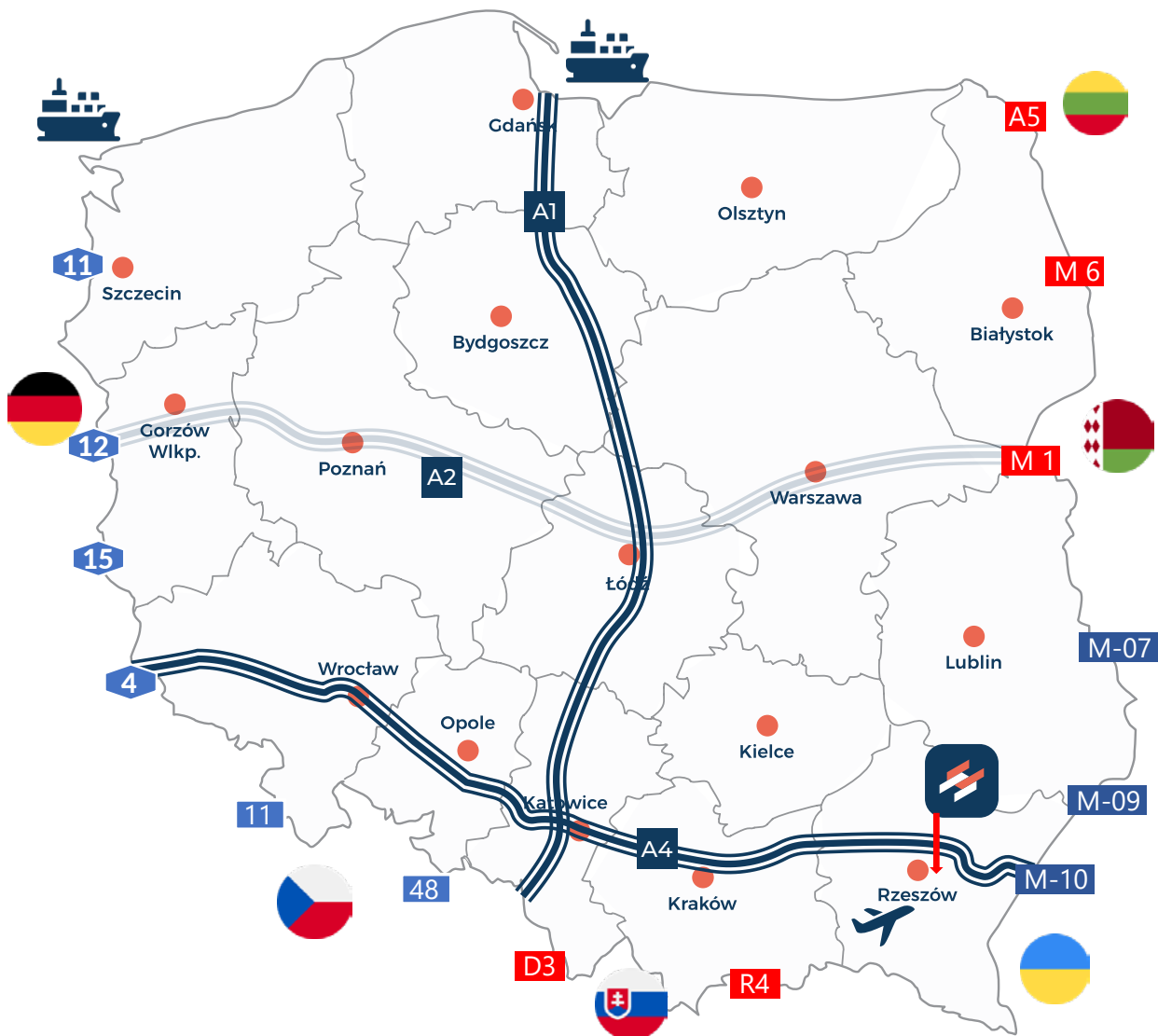
Moving industries forward since 1991

ABOUT US

We specialize in technological solutions tailored to the individual needs of our clients.

We focus on the FMCG industry, intralogistics, technological transport in tire factories and steel structure production. Our primary business goal is to provide solutions to companies using automated transport systems in their production and logistics processes.

Headquarters: **Łańcut**
Year of establishment: **1991**



INTRODUCTION

Transsystem SA designs and manufactures steel structures, technological transport systems for the automotive and tire industries, and automated intralogistics systems for the transport of:

- **pallets**
- **crates and containers**
- **poly mailers**
- **cartons**

addressing its offerings to logistics operators and the FMCG (Fast Moving Consumer Goods) industry, in particular to:

- **food and beverage industries**
- **pharmaceutical industries**
- **cosmetics industries**
- **household chemicals manufacturers**

We design and manufacture equipment and systems for transporting products from production lines to warehouses, as well as sorting systems and high-bay warehouses. From individual conveyors, manipulators, and elevators to automated warehouse systems – we design and manufacture equipment at our facility in Łańcut, deliver it, install it, and commission the transport systems. We build complete transport lines and expand and modify existing ones.

We design and manufacture:

- Conveyors of all types: driven and non-driven roller conveyors, chain conveyors, belt conveyors, slat conveyors, etc.
- Turntables
- Cross transfers
- Lifting tables
- Shuttles
- Elevators of all types
- Wrapping machines
- Palletizers and depalletizers
- AGV and EMS systems *)
- Functional kits, e.g., for moving goods between levels
- Sorting devices
- Steel structures and steel infrastructure inside halls
- Automated high-bay warehouses
- Automatic freezers

Our recipe for success is a well-thought-out concept, professional design based on experience gained in the demanding automotive industry, and careful workmanship using only high-quality materials and proven components.

*) in cooperation



Poland

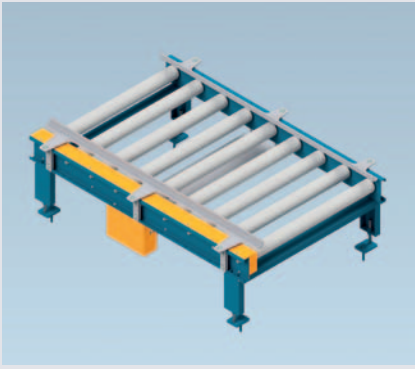


Hungary



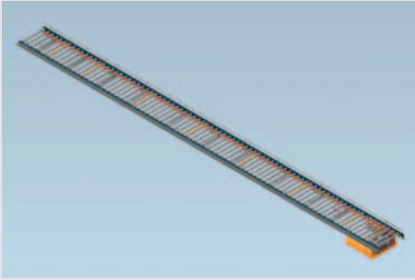
USA

EN05/26/ns



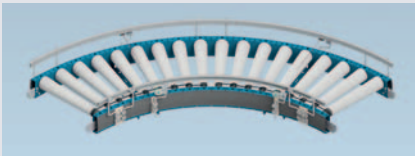
Driven roller conveyor 400 V

The driven roller conveyor is used for transporting goods through mechanical drive. The transported products move along the conveyor thanks to a gearmotor that drives the passive rollers with a chain. The system consists of a steel frame, drive rollers, passive rollers, and chains. Additionally, the conveyor has guides that prevent the transported items from falling out, in the form of side rails or rings on the rollers.



Roller conveyor driven by an abrasive belt

The roller conveyor is composed of passive rollers attached to the sides. The rollers are driven by a belt placed under the rollers. The belt is driven by a gear motor. This design allows the construction of a long conveyor using one drive. The conveyor has aluminum or optionally steel guides that protect the transported items from falling out.



Accumulation roller arc

The accumulation roller arc is designed for the transportation of goods using a mechanical drive. The products are moved along the conveyor by an electric roller that drives passive rollers via belts. Depending on the angle, the conveyor may include several contactless accumulation zones for product buffering. It is equipped with aluminum guides, with steel guides available as an optional feature, ensuring the safe transport of items and preventing them from falling off.



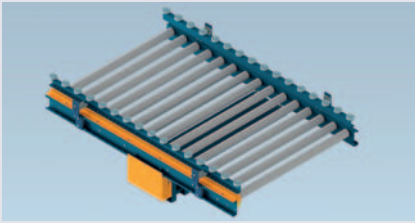
Arc roller gravity conveyor

The arc roller gravity conveyor is designed for the transportation of goods without the need for a mechanical drive. Products are moved along the conveyor by means of gravity. The conveyor is equipped with aluminum guides, with steel guides available as an optional feature, ensuring the safe transport of products and preventing them from falling off.



Arc roller conveyor driven by gear motor

The arc roller conveyor is used to transport goods using a mechanical drive. The transported products move along the conveyor thanks to a gear motor driving passive rollers by belts. The conveyor is equipped with aluminum or optionally steel guides to prevent the transported goods from falling out.



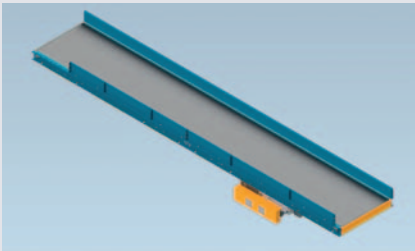
Driven roller conveyor 400 V AC

The driven roller conveyor is used to transport goods using a 400 V AC drive. The transported products move along the conveyor thanks to a gear motor driving passive rollers by belts. The conveyor is equipped with aluminum or optionally steel guides to prevent the transported goods from falling out.



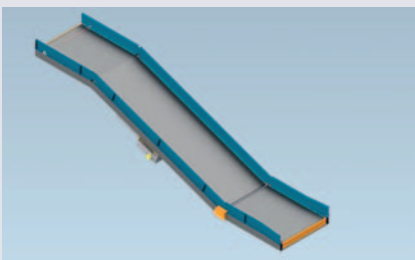
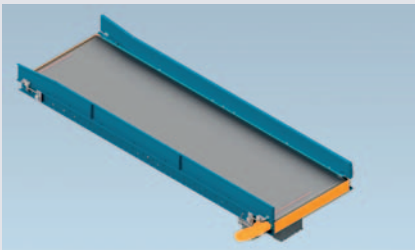
Roller conveyor with cross-belt transfer

The cross transfer module allows the direction of transport and sorting on the roller conveyor to be changed by 90°. Standardized transfer modules can also be used in existing roller conveyor systems. Cross transfers are powered by a safe 24 V/48 V DC voltage and are easy to install. The units are configured according to customer requirements and the specifics of the conveyors. The transfer modules are controlled by ConveyLinx or Motion Linx controllers, ensuring seamless integration with all types of conveyors, without the need for pneumatics and a control console.



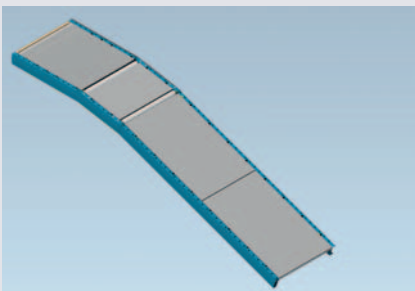
Flat belt conveyor

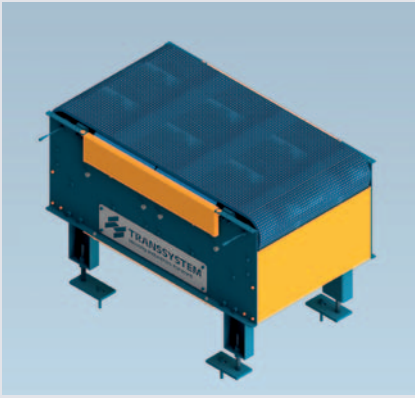
Belt conveyors are used for the smooth transport products of various sizes and shapes on straight sections. The conveyor consists of a steel frame with galvanized sheet metal supporting the belt, a drive segment, a set of tensioning drums and a conveyor belt. The conveyor is equipped with aluminum or optionally steel guides to prevent the transported goods from falling out. The drive can be located centrally or at the end as a gear motor or drum motor.



Inclined and declined belt conveyor

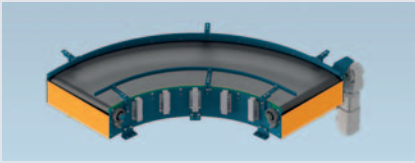
This type of belt conveyors are used for the smooth transport of products of various sizes and shapes between different levels. The unit consists of a steel frame with galvanized sheet metal supporting the belt, a drive segment, a set of tensioning drums and a conveyor belt. The conveyor is equipped with aluminum or optionally steel guides to prevent the products from falling out. The centrally located drive is provided by a geared motor or drum motor. The conveyor can be equipped with flat feed segments in the lower and upper run and a double break in the upper run for a quiet and smooth transfer of the transported goods.





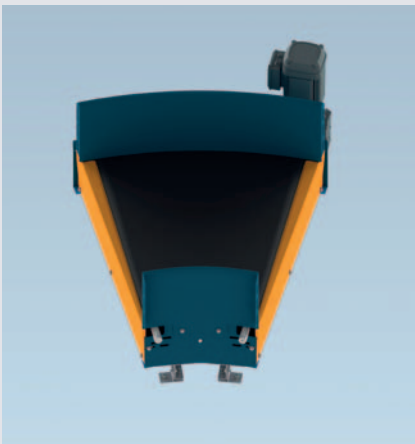
Modular belt conveyor – Ball belt

The ball belt modular belt conveyor is used to smoothly transport products of various sizes and shapes in various directions. The device includes a steel frame with PE1000 plastic profiles supporting the upper run of the belt, a set of rollers supporting the lower run, a drive, supports and a modular ball belt conveyor belt made of plastic with sets of balls on its surface. These balls allow the load to be easily moved, rotated or reoriented in any direction. The conveyor has aluminum or optionally steel guides that protect the transported items from falling out.



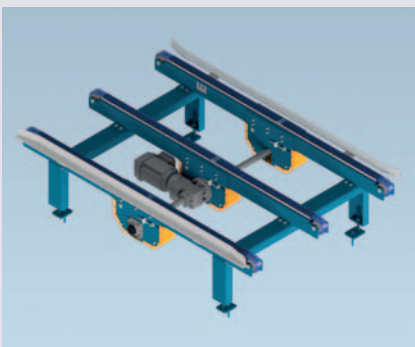
Modular belt arc conveyor

Modular belt bends are used to smoothly transport products of various sizes and shapes around bends. The device includes a steel frame with PE1000 plastic profiles supporting the upper run of the belt, a set of rollers supporting the lower run, a drive, supports and a modular conveyor belt made of plastic. The conveyor has aluminum or optionally steel guides that protect the transported items from falling out.



Driven arc belt conveyor

The driven arc belt conveyor is used to transport goods using a mechanical drive. The transported products move along the conveyor thanks to a gear motor driving the conveyor belt. The device includes a steel frame, drive drum, passive drums and a transport belt. The conveyor has aluminum or optionally steel guides that protect the transported items from falling out.



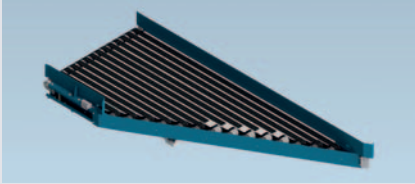
Pallet chain conveyor

A chain conveyor is a device used for transporting pallets. Its operation is based on a motor drive connected to a gearbox that ensures the appropriate force and movement speed. The motion is transmitted through a shaft, sprockets, and chains. To reduce friction between components, sliding profiles are used, which helps minimize power consumption. The conveyor's structure includes a drive system, a shaft with gears, a tensioning system, sliding profiles, load-bearing profiles, and supports.



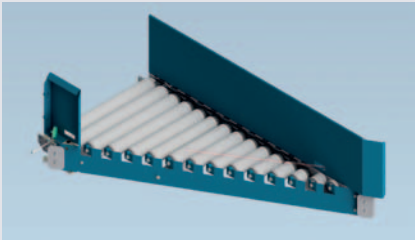
Modular pallet conveyor

Przełożnik z taśmą modułową służący do transportu palet. Napędzany motoreduktorem kontrolowanym za pomocą systemu sterowania. Moment z silnika jest przekazywany na taśmy modułowe poprzez wał, koła łańcuchowe oraz koła modułowe. W celu zmniejszenia tarcia między elementami zastosowano profile ślizgowe, co pozwala na redukcję zapotrzebowania na moc. Konstrukcja przełożnika obejmuje dodatkowo prowadnice, podpory, systemy sterowania oraz czujniki.



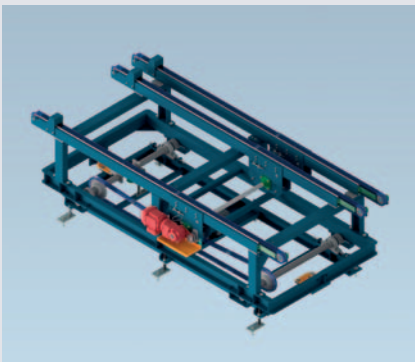
Merging conveyor – Belt merge

A connecting conveyor used to merge two product lines at an angle, maintaining a smooth flow of goods. The conveyor is equipped with aluminum or optionally steel guides to prevent the product from falling out.



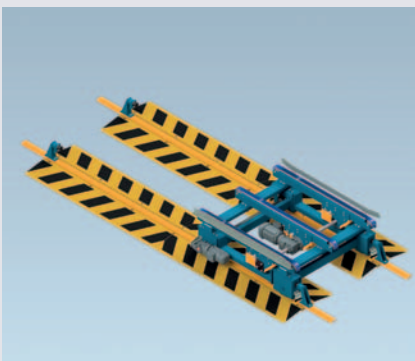
Merging conveyor – Roller merge

The connecting conveyor is designed to link two product lines at an angle, ensuring a smooth and uninterrupted flow of goods. It is equipped with aluminum guides, with steel guides available as an optional feature, to safeguard the transported items and prevent them from falling off.



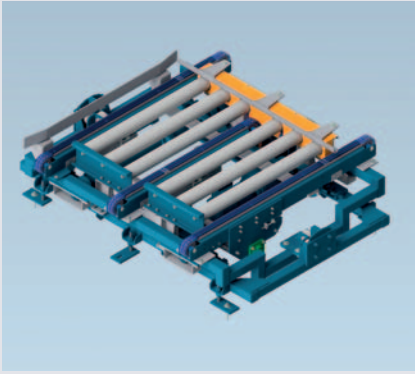
Eccentric table

The eccentric table is used to transport products and transfer them to a neighboring device by adjusting the height. Horizontal and vertical movements are carried out using chains powered by geared motors. The device is equipped with covers and bumpers to prevent products from falling.



Pallet trolley – „Shuttle”

A shuttle is a device used for the linear transport of products by movement on rails. Its structure consists of a module moving on tracks and a module containing a chain or roller conveyor that allows the transport of materials corresponding to the size of euro pallets and industrial pallets. The shuttle can be divided into longitudinal and transverse types, depending on the arrangement of the modules relative to each other. The shuttle is used as an element of a transport line, cooperating with other types of conveyors, and is used in places where the communication route must be maintained.



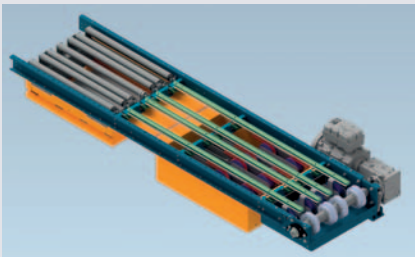
Angular transfer system

Chain transfer, also known as angular transfer, is a module equipped with three independent drives: for the rollers, chain, and lifting mechanisms. Its function is to change the direction of load movement by 90 degrees. In this module, the chain segment is lifted. The entire structure consists of a steel frame, chains, rollers, a shaft, and geared motors



Rotary table

The rotary table is a device used to change the direction of product transport by rotating around its own axis in the range from 0° to 180°. Its structure consists primarily of a fixed base and a rotating module containing a roller conveyor that allows the transport of materials corresponding to the size of euro pallets and industrial pallets. The turntable serves as an element of the transport line cooperating with roller conveyors.



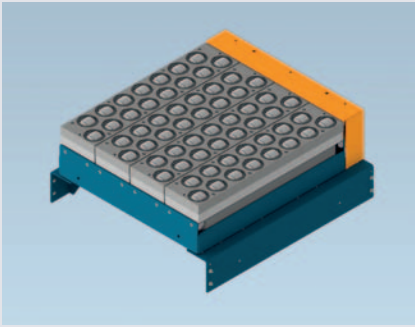
Narrow belt sorter

The narrow belt sorter is a transport system consisting of narrow belts placed next to each other, used for transporting goods. It is equipped with rollers made of high-friction material that extend between the belts, directing the goods at a 90-degree angle without stopping. It is designed for bidirectional or unidirectional sorting of packages and other small or medium-sized goods, ensuring dynamic operation of the device and maximum efficiency.



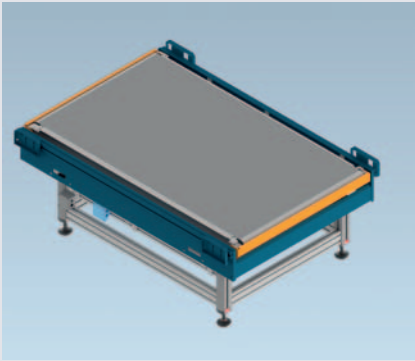
F-RAT NX Sorting Module

The F-RAT NX module allows you to change the direction of transport and sorting by 90°. It has a compact design that makes it easy to use in both new and existing conveyor systems. The F-RAT device is powered by 24 V DC brushless motors, which ensures a high standard of safety and easy installation. The design of the device allows for quick and smooth transfer of even very delicate products.



Separating and sorting modules

Separating and sorting modules can move products smoothly and quickly at an angle. The modules are available in various widths and can be connected together to match the size of the products being moved.



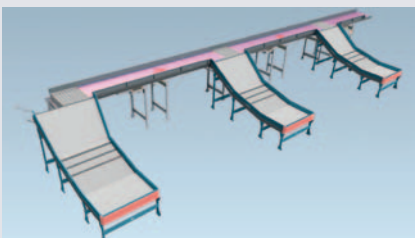
Flow scale

A flow scale allows you to control the transported material moving continuously on the conveyor. It is distinguished by accurate weight registration, even under harsh operating conditions. The scale checks the quantity of goods, their unit weight and completeness.



Conveyor with sorting module

Sorting multi angle modules are designed to change the direction of transport by various angle from 30° to even 90° also in a dynamic way. Their design is compact, so they can be easily integrated into new and existing conveyor lines. Sorting modules are powered by 24 V / 48 V, which ensures a high level of safety and ease of installation. The devices are configured according to the customer's requirements, ensuring seamless integration with all types of conveyors, without the need for pneumatics and a control console.



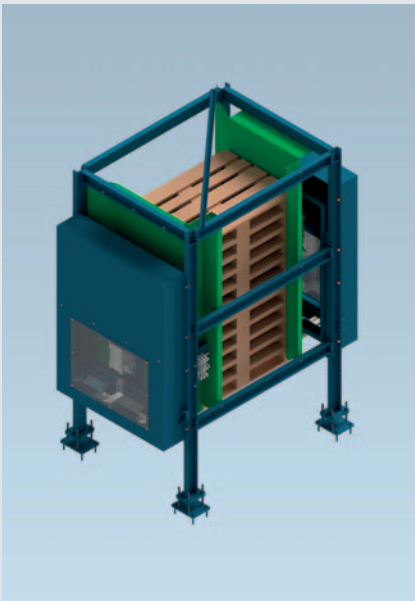
Diverter Sorter

The Diverter sorter is an advanced solution that enables efficient and precise sorting in various industries. The device can handle a wide range of products, including parcels, letters and irregularly shaped items. The sorter is built with efficient belt conveyors and sorting cassettes that allow items to be directed directly to the target chutes without having to stop the line. The modular design of the sorter ensures scalability and adaptation to specific operational needs, making it suitable for facilities of all sizes. The intelligent control system ensures smooth operation with minimal downtime, thus maximizing productivity and throughput. The solid construction and reliable operation of the sorter make it a reliable solution that streamlines sorting processes and optimizes logistics operations. Detailed information on the construction and operation of the diverter sorter can be provided by the Intralogistics Department of Transsystem SA – please contact us.



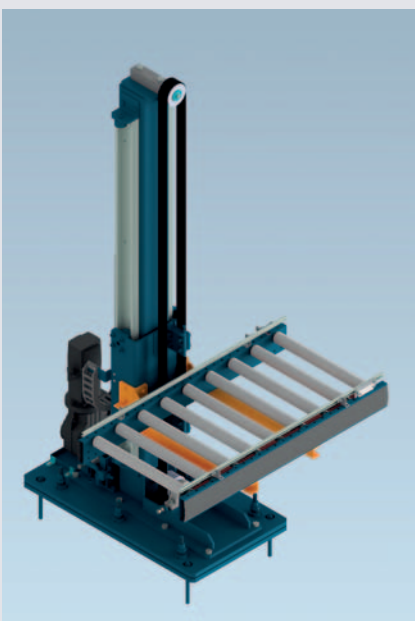
Stacker/Destacker

The stacker/destacker is used to stacking or separating boxes/cartons and transferring them to a neighboring device. The device operates above a roller or belt conveyor, which is used to move the transported material. The vertical movement is performed by two opposite sliding mechanisms or grippers. The device stacks the transported material or removes it in reverse order and then passes it on.



Pallet Stacker/destacker

The stacker is used to automatically create stacks with a pallet, allowing them to be shared or transferred to the device. The destacker separates stacks of pallets into units that can be further used in production or logistics processes. The device works above a chain conveyor, which is used to move pallets. Movement is performed by two carriages using pneumatic actuators. Pallet holding is possible due to four actuators mounted horizontally, which can be used to set the grippers in motion. The actuators cooperate with control systems. The device is equipped with side covers and bumpers that prevent pallets from falling down.



Single-post elevator

The elevator is used to move items between levels. The main structure of the elevator is a steel column. The trolley is guided by rollers and guides. The elevator is driven by a gear motor connected to a gear pulley by a shaft. The elevator trolley can be equipped with a roller or belt conveyor.



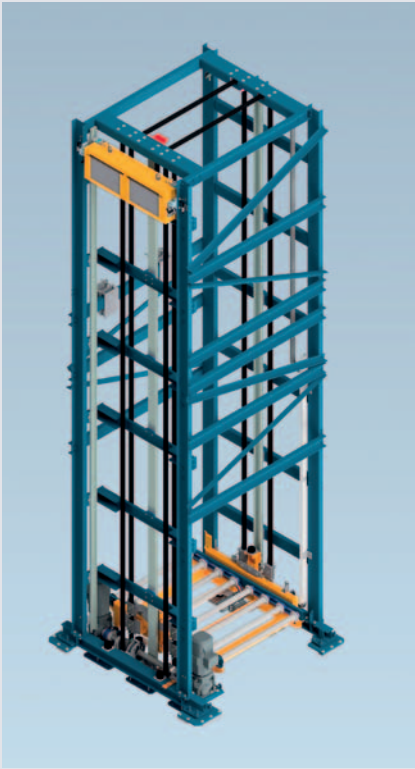
Double-post elevator

The elevator is used to move items between levels. The main structure of the elevator consists of two steel columns. The trolley is guided by rollers and guides. The elevator is driven by a gear motor connected to the drive drum by a shaft. The elevator trolley can be equipped with a roller or belt conveyor.



Double-post elevator

The elevator is used to transfer elements between different levels. Its main structure consists of two steel columns. The trolley is guided by rollers and tracks. The elevator is powered by a gear motor, which operates a drum where the movement occurs. The trolley is driven by belts wrapped around the drum. Additionally, the wind trolley can be equipped with either a roller or a chain trolley.



Four-post elevator

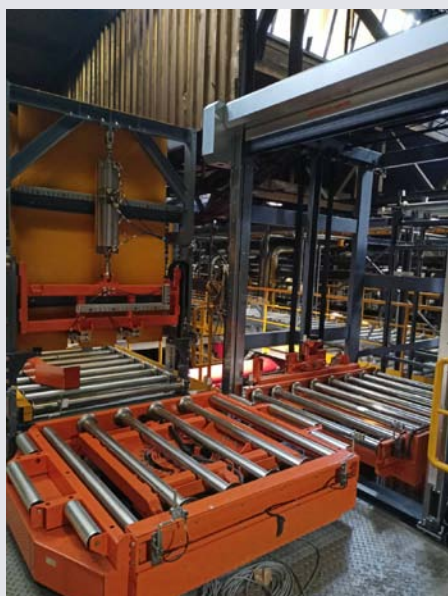
The elevator is used to transfer elements between different levels. Its main structure consists of four steel columns. The trolley is guided by rollers and tracks. The elevator is powered by a gear motor, which operates a drum where the movement occurs. The trolley is driven by belts wrapped around the drum. Additionally, the wind trolley can be equipped with either a roller or a chain trolley.

Mobile robots AGV

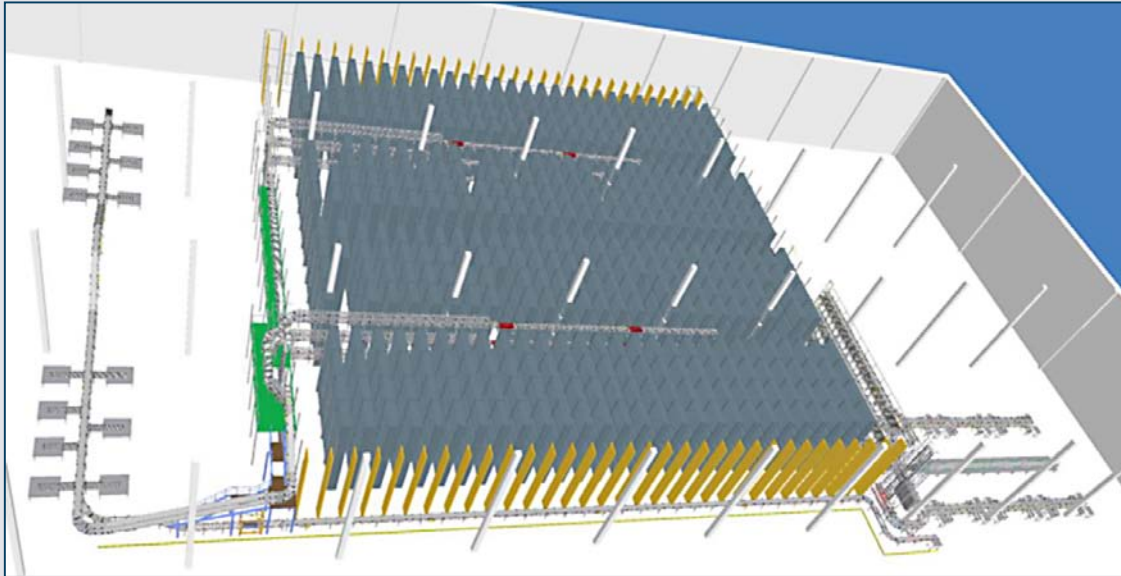
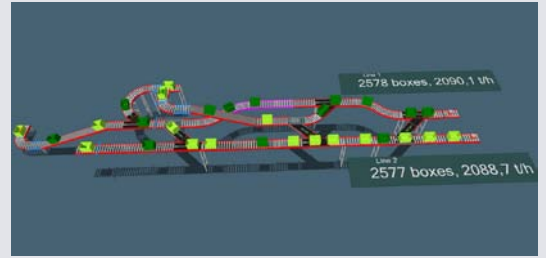


A range of mobile robots with various transport parameters and functionalities. In addition to versions with autonomously built-in rotary tables or lifts, it is possible to add user-specific components and devices, enabling the transport of goods with unusual dimensions and shapes.

Examples of projects in intralogistics



Example stages of designing intralogistics facilities





TRANSSYSTEM



100-00





TRANSSYSTEM

Moving industries forward

TRANSSYSTEM GROUP

TRANSSYSTEM SA

Wola Dalsza 367

37-100 Łańcut

POLAND 

Phone: +48 17 24 90 100

e-mail: transsystem@transsystem.pl

www.transsystem.pl

GAMMA-DIGITAL Kft.

1119 Budapest,

Fehérvári út 97-99

HUNGARY 

Phone: +36 30 223 6178

e-mail: sales@gammadigital.hu

www.gammadigital.hu

TRANSSYSTEM Americas LLC

141 Traction St, Suite 71

Greenville, SC 29611

UNITED STATES 

Phone: (+1) 864 787 3228

e-mail: sales@transsystem.us

www.transsystem.us